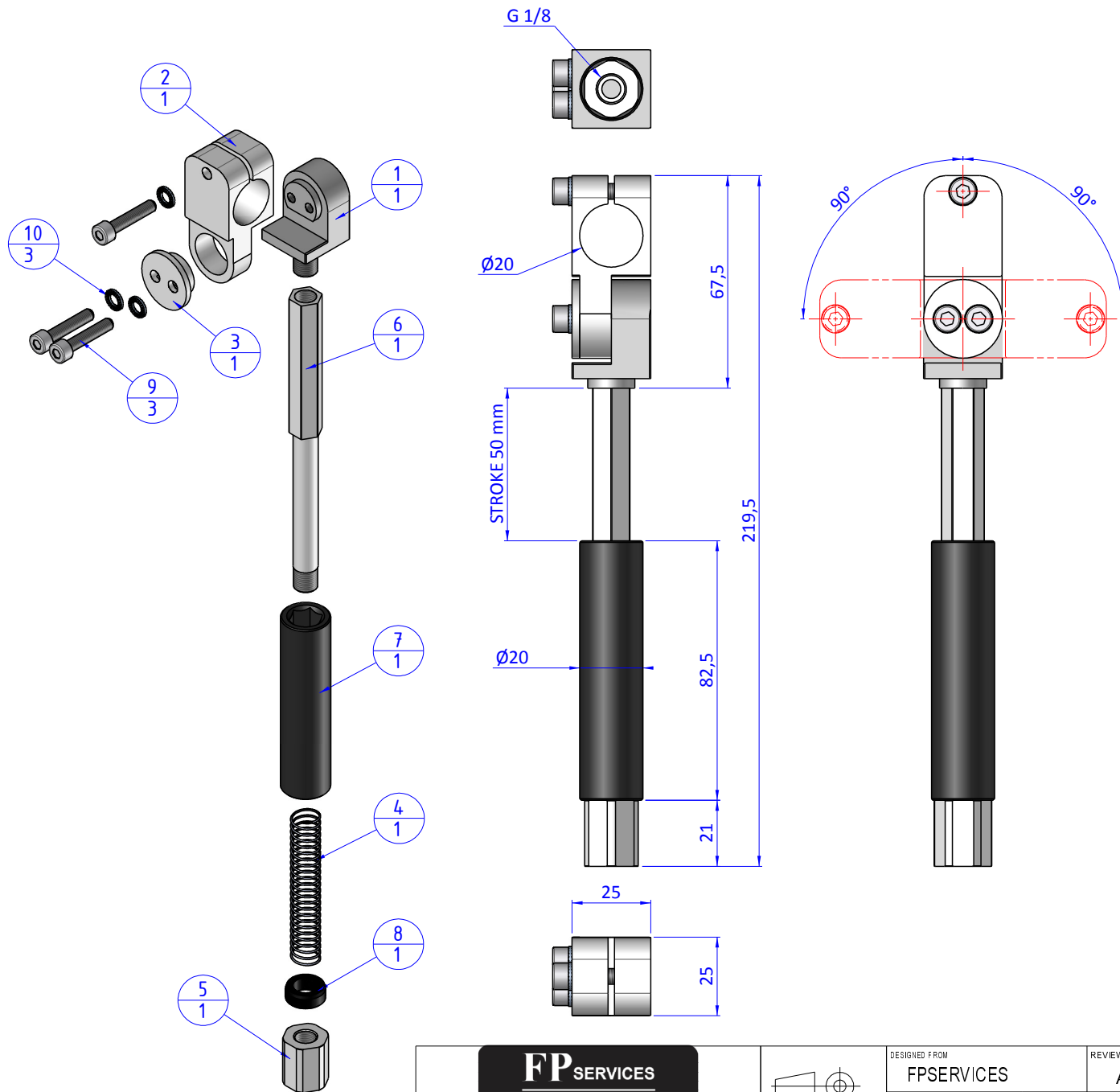


THE PROPERTY OF THE DRAWING IS ESTABLISHED BY LAW. IT IS FORBIDDEN TO PRODUCE OR SHOW IT TO THIRD PARTY, WITHOUT A WRITTEN AGREEMENT.

Object Number	Name	QTY
1	GRZ.202520.1	1
2	GVR.20.2	1
3	GVR.20.3	1
4	M.12X81.5	1
5	VSN.20.1	1
6	VSN.2050.4	1
7	VSN.2050.2.1	1
8	VSN.2050.3	1
9	V.TCE5x25	3
10	R.5.SCH	3



Format A3  
UNI 936-76

		DESIGNED FROM	REVIEW
		FP SERVICES	A
GENERAL TOLERANCE	DESCRIPTION	DATE	WEIGHT
UNI - ISO 2768	CA.SMN.205020	07/02/2019	0,130kg
CLASSE f		CODE	CA.SMN.205020